



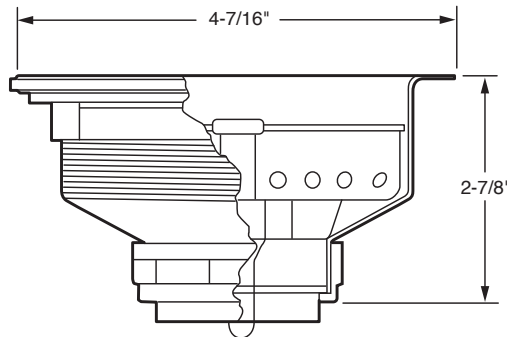
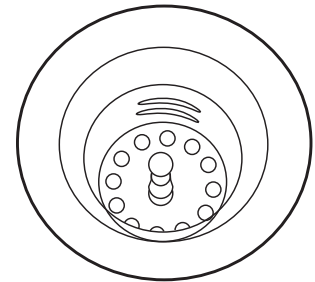
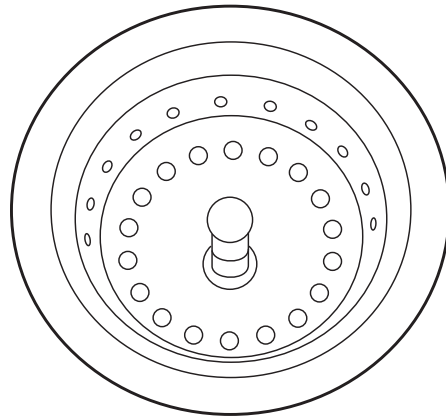
Drain Fittings

S1 and S2

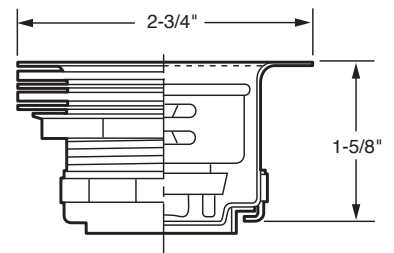
Specifications

FEATURES:

- Stainless steel body
- Removable basket with rubber stopper
- S1 fits 3-1/2" drain opening
- S2 fits 2" drain opening



S1



S2

ALL DIMENSIONS IN INCHES, TO CONVERT TO MILLIMETERS MULTIPLY BY 25.4.

In keeping with our policy of continuing product improvement, Revere reserves the right to change product specifications without notice.

This specification describes a Revere product with design, quality and functional benefits to the user. When making a comparison of other producers' offerings, be certain these features are not overlooked.

Revere • 2222 Camden Ct. • Oak Brook, IL 60523 • reversink.com • Tel: (800) 225-8585 • Fax: (630) 645-4447