



Revere Granite Single Bowl Sink RVGU2218 Series

Specifications

FEATURES:

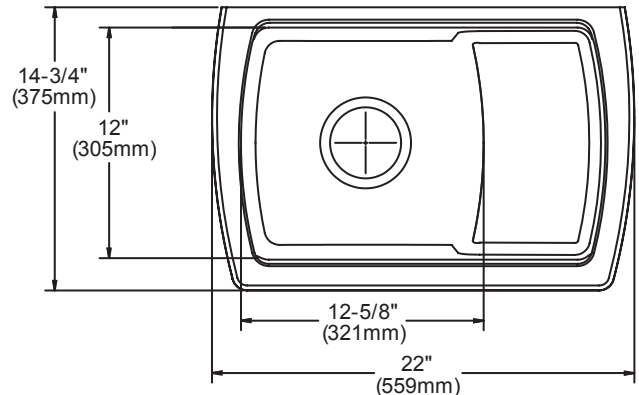
- Undermount
- Revere granite material
- 8" (203mm) deep
- 1 1/2" (38mm) deep ledge
- 3/8" (10mm) rim height
- Color Options with natural accents:
Black (BK), Bisque (BQ), Brown (BR), or
White (WH)
- Reversible design, sink can be rotated so that
work area is on the left
- 3-1/2" (89mm) drain opening
- Minimum cabinet size: 27" (686mm)
- Sink complies with ANSI Z124.6 and
CSA B45-02



These sinks are listed by the International Association of Plumbing and Mechanical Officials as meeting the requirements of the Uniform Plumbing Code and the National Plumbing Code of Canada.

OPTIONAL ACCESSORIES:

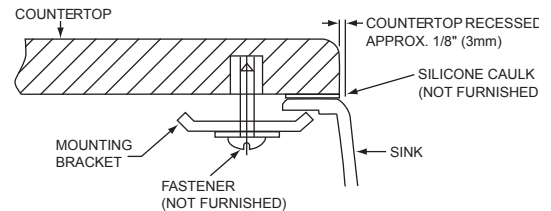
- Drains: S1
- Bottom Grid: RVWBG1312SS
- Cutting Board: RVCB1312HW



Undermount Installation

Installation Profile

The template provides the only type of installation recommended.



In keeping with our policy of continuing product improvement, Revere reserves the right to change product specifications without notice.

This specification describes a Revere product with design, quality and functional benefits to the user. When making a comparison of other producers' offerings, be certain these features are not overlooked.

Revere • 2222 Camden Ct. • Oak Brook, IL 60523 • reversink.com • Tel: (800) 225-8585 • Fax: (630) 645-4447