



Revere Granite Double Bowl Sink RVGLBO3322 Series

Specifications

FEATURES:

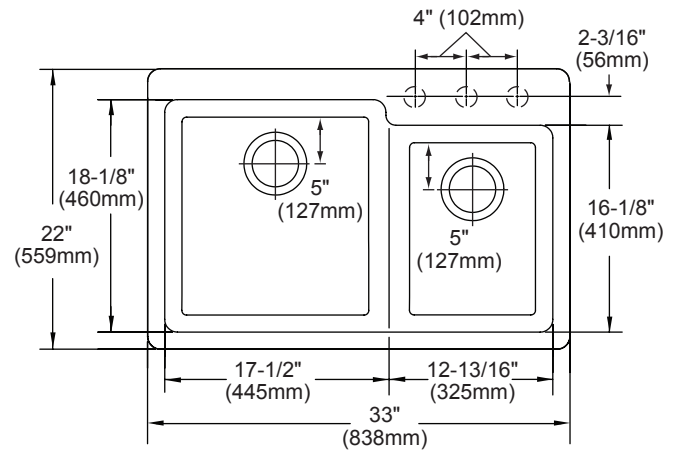
- Top Mount
- Molded from up to 85% natural quartz and high performance acrylic resin
- 9-1/2" (241mm) deep
- 4" (102mm) bridge height
- 3/8" (10mm) rim height
- Faucet holes are pre-scored for flexible installation. Installer can punch up to 3 faucet holes
- Color Options with natural accents: Black (BK), Bisque (BQ), Brown (BR), Dusk Gray (GY), or White (WH)
- 3-1/2" (89mm) drain opening
- Minimum cabinet size: 36" (914mm)

Sink complies with CSA B45.5/IAPMO Z124

 Sinks are listed by IAPMO® as meeting the applicable requirements of the Uniform Plumbing Code®, International Plumbing Code®, and National Plumbing Code of Canada.

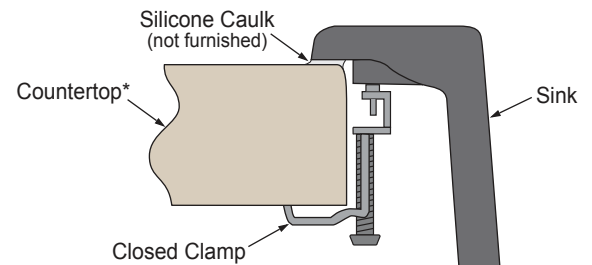
OPTIONAL ACCESSORIES:

- Bottom Grid: LKWOBG1216SS (small bowl), LKWOBG1718SS (large bowl)
- Drain: S1, LKD35, LKS35



INSTALLATION PROFILE

Use Template "0000001442"



* Maximum thickness for use of hold down system is 1-3/4" (44mm).

In keeping with our policy of continuing product improvement, Revere reserves the right to change product specifications without notice. Please visit Reveresinks.com for the most current version of Revere product specification sheets.

This specification describes a Revere product with design, quality, and functional benefits to the user. When making a comparison of other producers' offerings, be certain these features are not overlooked.