



# Revere Granite Double Bowl Sink RVGULBO3322 Series

## Specifications

### FEATURES:

- Top Mount
- Molded from up to 85% natural quartz and high performance acrylic resin
- 9-1/2" (241mm) deep
- 4" (102mm) bridge height
- Color Options with natural accents: Black (BK), Bisque (BQ), Brown (BR), Dusk Gray (GY), or White (WH)
- 3-1/2" (89mm) drain opening
- Minimum cabinet size: 36" (914mm)

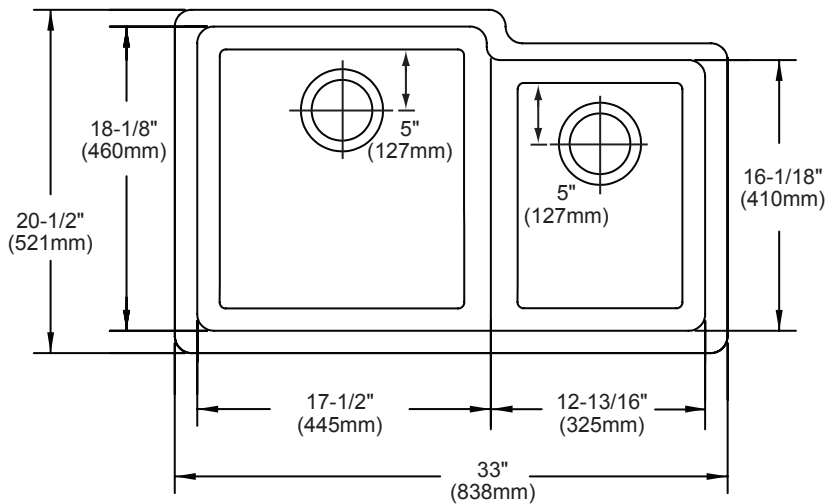
Sink complies with CSA B45.5/IAPMO Z124



Sinks are listed by IAPMO® as meeting the applicable requirements of the Uniform Plumbing Code®, International Plumbing Code®, and National Plumbing Code of Canada.

### OPTIONAL ACCESSORIES:

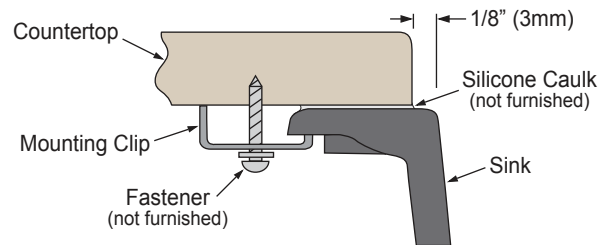
- Bottom Grid: LKWOBG1216SS (small bowl), LKWOBG1718SS (large bowl)
- Drain: S1, LKD35, LKS35



### INSTALLATION PROFILE

Use Template "1000002208"

1/8" (3mm) Reveal



Designed to affix to the underside of any solid surface countertop.

In keeping with our policy of continuing product improvement, Revere reserves the right to change product specifications without notice. Please visit [Reveresinks.com](http://Reveresinks.com) for the most current version of Revere product specification sheets.

This specification describes a Revere product with design, quality, and functional benefits to the user. When making a comparison of other producers' offerings, be certain these features are not overlooked.