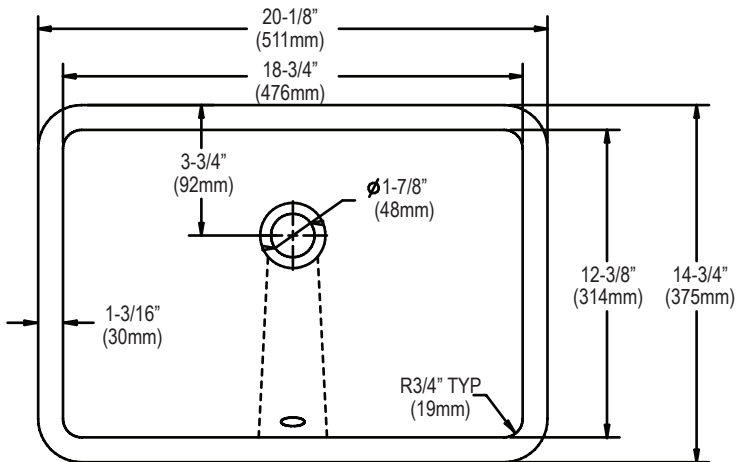


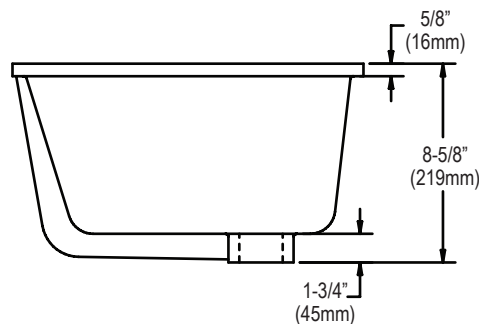
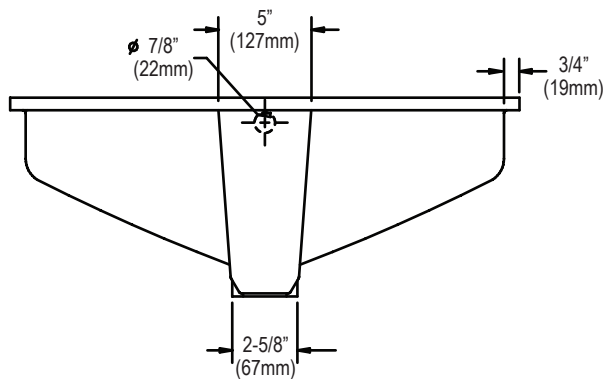
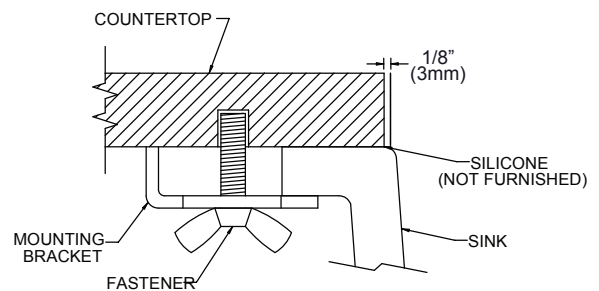
# Specifications

## Features:

- Vitreous China
- Available in White or Biscuit
- 20-1/8" X 14-3/4" (511mm X 375mm)
- 8-5/8" (219mm) Depth
- Bowl Depth 6-5/8"
- 1-7/8" (48mm) Drain Opening
- With Overflow
- For Undermount Use
- Minimum Cabinet Size: 24" (610mm)



## INSTALLATION PROFILE



*In keeping with our policy of continuing product improvement, Revere reserves the right to change product specifications without notice. Please visit [Reveresinks.com](http://Reveresinks.com) for the most current version of Revere product specification sheets.*

*This specification describes a Revere product with design, quality, and functional benefits to the user. When making a comparison of other producers' offerings, be certain these features are not overlooked.*