

## Specifications

### Features

- Top Mount
- 20 gauge stainless steel
- Durable Satin Finish
- 8-1/4" (210mm) Depth
- Overall Size: 33" x 22" (838mm x 559mm)
- 3-1/2" (89mm) center drain opening
- Faucet holes: (4) 1-1/2" (38mm) diameter
- Cutout Dimensions: 32-3/8" x 21-3/8" (822mm x 543mm) with 1-1/2" (38mm) radius corners.
- Mounting hardware for countertops up to 3/4" (19mm) thick included.
- Sound insulation - spray undercoating on bottom
- Minimum cabinet size: 36" (914mm)
- Limited lifetime warranty

### RECOMMENDED ACCESSORIES

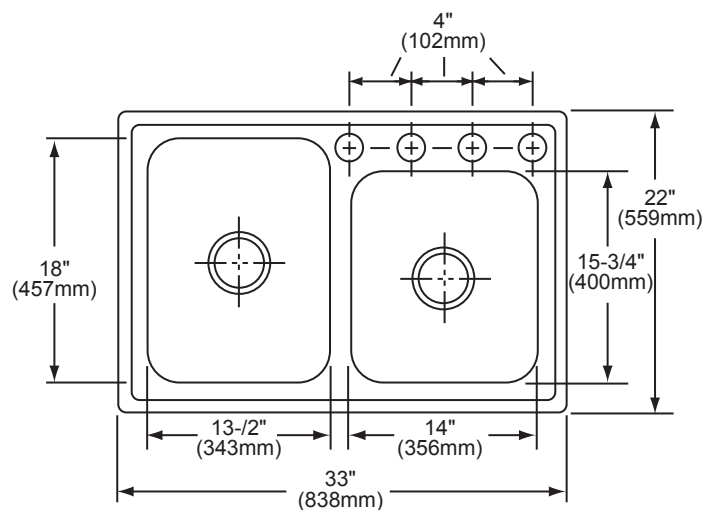
Bottom Grid: NBG1416CR, LKWBG1416SS (small bowl)

Cutting Board: CB1516 (small bowl)

Drain: D1125, LK35, LK99

Faucet Hole Cover: LK125R

Rinsing Basket: NRB1416CR, LKW RB1316SS (small bowl), LKW RB1318SS (large bowl), (LKWUCSS)



In keeping with our policy of continuing product improvement, Revere reserves the right to change product specifications without notice. Please visit [reveresink.com](http://reveresink.com) for most current version of Revere product specification sheets.

This specification describes a Revere product with design, quality, and functional benefits to the user. When making a comparison of others producers offerings, be certain these features are not overlooked.