



# Undermount Model Double Bowl RVRU31179

## Specifications

### FEATURES:

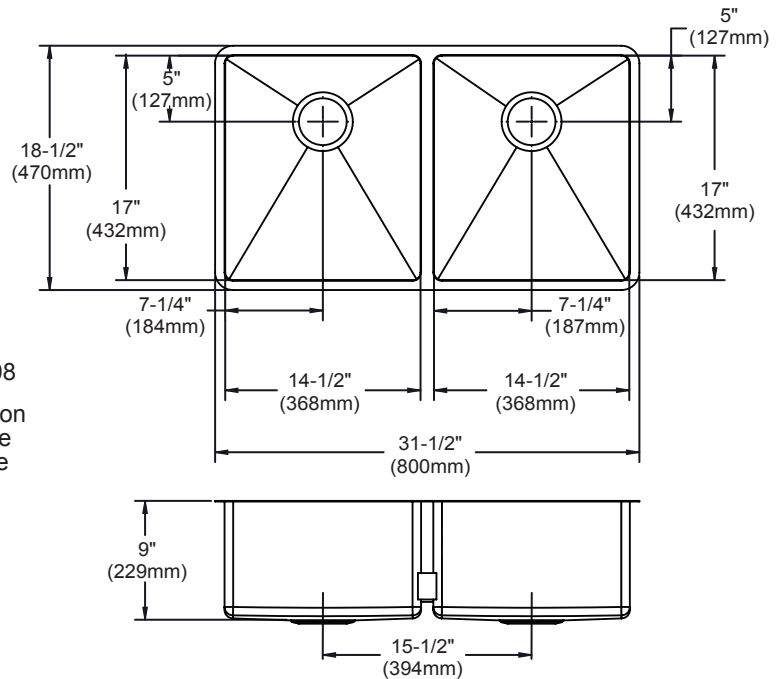
- 18 (1.2mm) gauge nickel-bearing stainless steel
- 9" (229mm) deep
- Polished Satin finish
- 3-1/2" drain opening
- Sound dampening pad with spray undercoating
- Minimum cabinet size: 36" (914mm)
- Sink complies with ASME A112.19.3-2008 / CSA B45.4-08



These sinks are listed by the International Association of Plumbing and Mechanical Officials as meeting the requirements of the Uniform Plumbing Code and the National Plumbing Code of Canada.

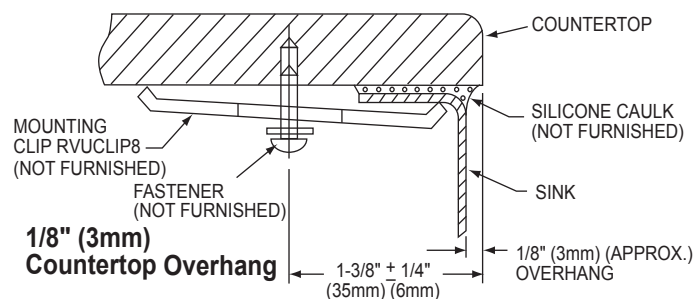
### OPTIONAL ACCESSORIES:

- Bottom Grid: GFOBG1517SS
- Cutting Board: LKCBF17HW
- Drain: S1
- Mounting Clip: RVUCLIP8



### Installation Profile of RVRU Models

The template provided with each RVRU sink provides the only type of installation recommended by Revere.



**NOTE: THIS UNDERMOUNT SINK IS DESIGNED TO MOUNT TO SOLID SURFACE (NON-LAMINATE) COUNTERTOP ONLY.**

In keeping with our policy of continuing product improvement, Revere reserves the right to change product specifications without notice. Please visit [reversesink.com](http://reversesink.com) for most current version of Revere product specification sheets.

This specification describes an Revere product with design, quality and functional benefits to the user. When making a comparison of other producers' offerings, be certain these features are not overlooked.

Revere • 2222 Camden Ct. • Oak Brook, IL 60523 • [reversesink.com](http://reversesink.com) • Tel: (800) 225-8585 • Fax: (630) 645-4447