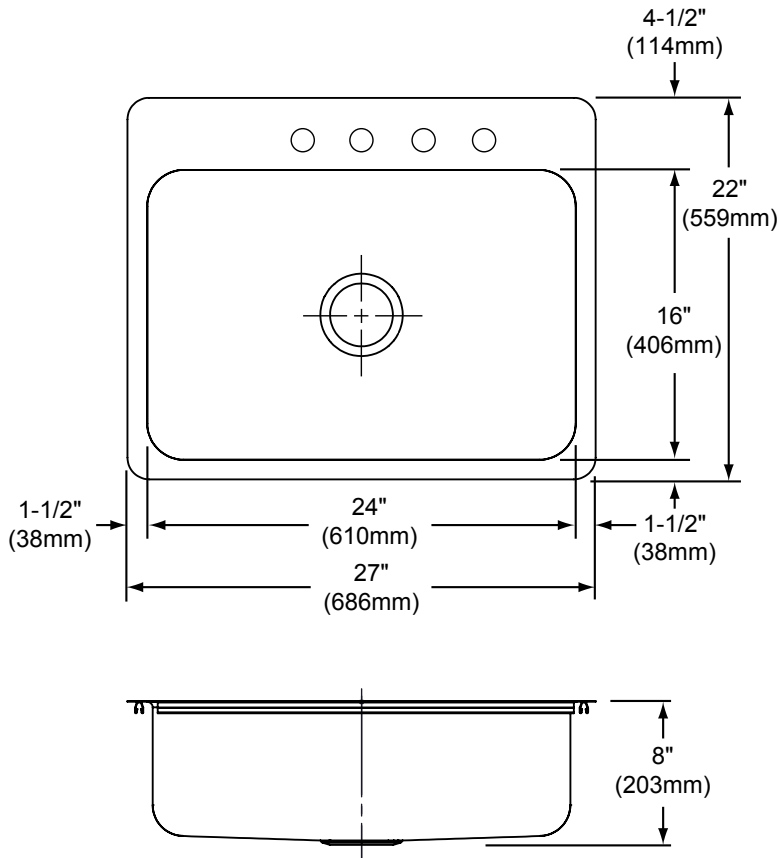




# Specification Sheet

## Carrington™ Model Single Bowl CLSSR2722D8DG



### FEATURES:

- Slim Rim Feature
- 20 (.9mm) Gauge 301 Series Nickel-Bearing Stainless Steel
- Universal Mount
- 3-1/2" (89mm) Center Drain Opening
- Full Undercoat Sound Deadening
- Diamond-Glo Finish
- Includes Mounting Hardware/ Clips and Screws
- Hole Drillings: 1, 2, MR2, 3, 4, or 5
- Suggested Cabinet Size: 30" (762mm)
- Cutout Dimension with 1-1/2" (38mm) Radius Corners: 27-3/8" (695mm) x 21-3/8" (543mm)

### OPTIONAL ACCESSORIES:

- Bottom Grid: GBG2416SS
- Cutting Board: CB1713, CBS1316
- Drain: S1

In keeping with our policy of continuing product improvement, Revere Sink reserves the right to change product specifications without notice.

This specification describes a Revere Sink product with design, quality and functional benefits to the user. When making a comparison of other producers' offerings, be certain these features are not overlooked.