



# Undermount Model Double Bowl Sink RCFU31189, RCFU531189U, and RCFU2031189

## Specifications

### FEATURES:

- 18 (1.2mm) gauge nickel-bearing stainless steel
- 9" (229mm) deep
- Satin finish
- 3-1/2" (89mm) drain opening
- Sound dampening pad with spray undercoating
- Minimum cabinet size: 36" (914mm)
- Sink complies with ASME A112.19.3-2008 / CSA B45.4-08



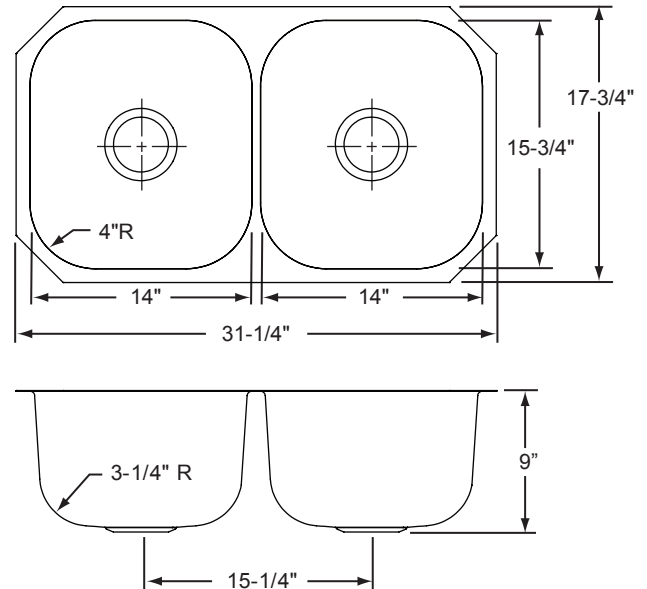
These sinks are listed by the International Association of Plumbing and Mechanical Officials as meeting the requirements of the Uniform Plumbing Code and the National Plumbing Code of Canada.

**RCFU531189U** sink is nested 5 units in a UPS certified shipping box and must be ordered in multiples of 5.

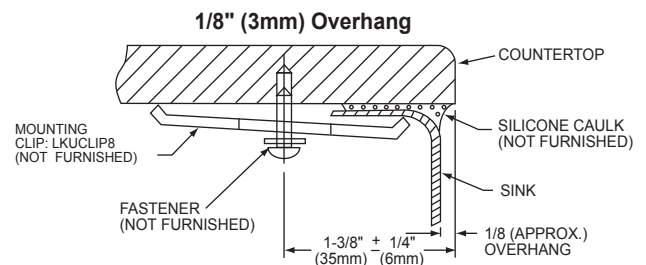
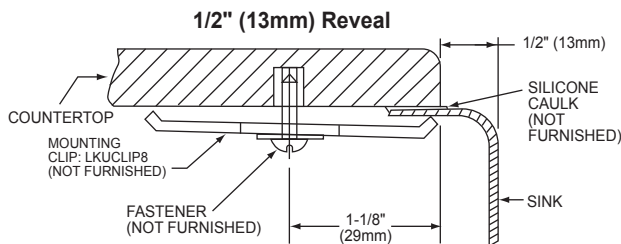
**RCFU2031189** sink is nested 20 units per shipping container (four 5 packs) and must be ordered in multiples of 20.

### OPTIONAL ACCESSORIES:

- Drain: S1
- Mounting Clip: RVUCLIP8 (2 packages required)
- Template: 0000000779



### Electronic Dual Template Mounting Option (Download DXF File from [www.reveresink.com](http://www.reveresink.com))



**NOTE: THIS UNDERMOUNT SINK IS DESIGNED TO MOUNT TO SOLID SURFACE (NON-LAMINATE) COUNTERTOP ONLY.**

In keeping with our policy of continuing product improvement, Elkay reserves the right to change product specifications without notice. Please visit [elkayusa.com](http://elkayusa.com) for most current version of Elkay product specification sheets.

This specification describes an Elkay product with design, quality and functional benefits to the user. When making a comparison of other producers' offerings, be certain these features are not overlooked.

Revere • 2222 Camden Ct. • Oak Brook, IL 60523 • [reveresink.com](http://reveresink.com) • Tel: (800) 225-8585 • Fax: (630) 645-4447