



Undermount Model Single Bowl Sink RCFU1318, RCFU51318U and RCFU201318

Specifications

FEATURES:

- 18 (1.2mm) gauge nickel-bearing stainless steel
- 8" (203mm) deep
- Satin finish
- 3-1/2" (89mm) drain opening
- Sound dampening pad with spray undercoating
- Minimum cabinet size: 21" (533mm)
- Sink complies with ASME A112.19.3-2008 / CSA B45.4-08



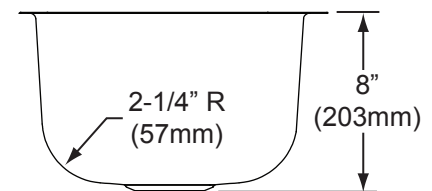
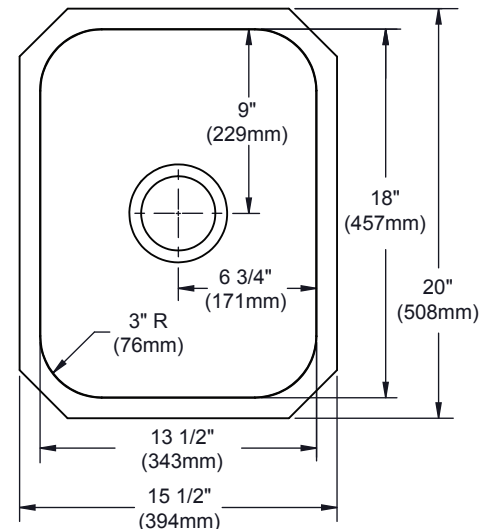
These sinks are listed by the International Association of Plumbing and Mechanical Officials as meeting the requirements of the Uniform Plumbing Code and the National Plumbing Code of Canada.

RCFU51318U sink is nested 5 units in a UPS certified shipping box and must be ordered in multiples of 5.

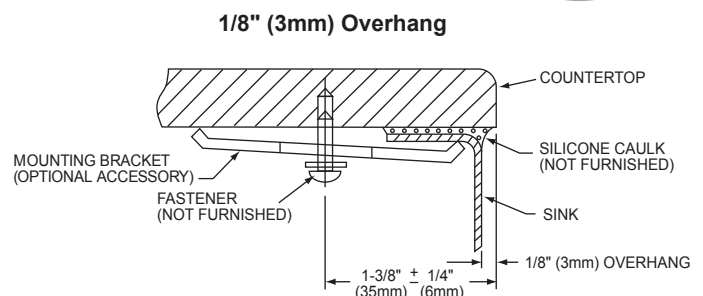
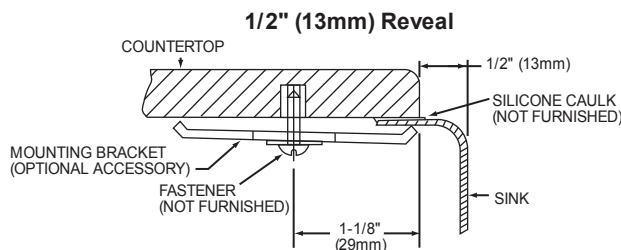
RCFU201318 sink is nested 20 units per shipping container (four 5 packs) and must be ordered in multiples of 20.

OPTIONAL ACCESSORIES:

- Bottom Grid: GBG1318SS
- Drain: S1
- Mounting Clip: RVUCLIP8
- Template: 0000000780



Electronic Dual Template Mounting Option (Download DXF File from www.reveresink.com)



NOTE: THIS UNDERMOUNT SINK IS DESIGNED TO MOUNT TO SOLID SURFACE (NON-LAMINATE) COUNTERTOP ONLY.

In keeping with our policy of continuing product improvement, Revere reserves the right to change product specifications without notice.

This specification describes a Revere product with design, quality and functional benefits to the user. When making a comparison of other producers' offerings, be certain these features are not overlooked.

Revere • 2222 Camden Ct. • Oak Brook, IL 60523 • reveresink.com • Tel: (800) 225-8585 • Fax: (630) 645-4447